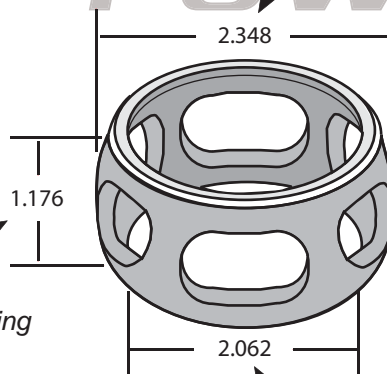


# MOTOR MASTER Powersports

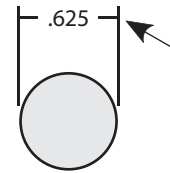
## Outside Diameter of Cage

Measure the widest point of the cage using a precise measuring instrument. (Example: Caliper or Micrometer)



## Cage Height

Measure the height of the cage as shown using a precise measuring instrument. (Example: Caliper or Micrometer)



## Ball Diameter

Measure the widest point of the ball using a precise measuring instrument. (Example: Caliper or Micrometer)

## Inside Diameter of Cage

ID of the cage can only be measured by using the Outside Diameter of the inner race & adding +.002 to the measurement be sure to use a precise measuring instrument. (Example: Caliper or Micrometer)

# MOTOR MASTER Powersports